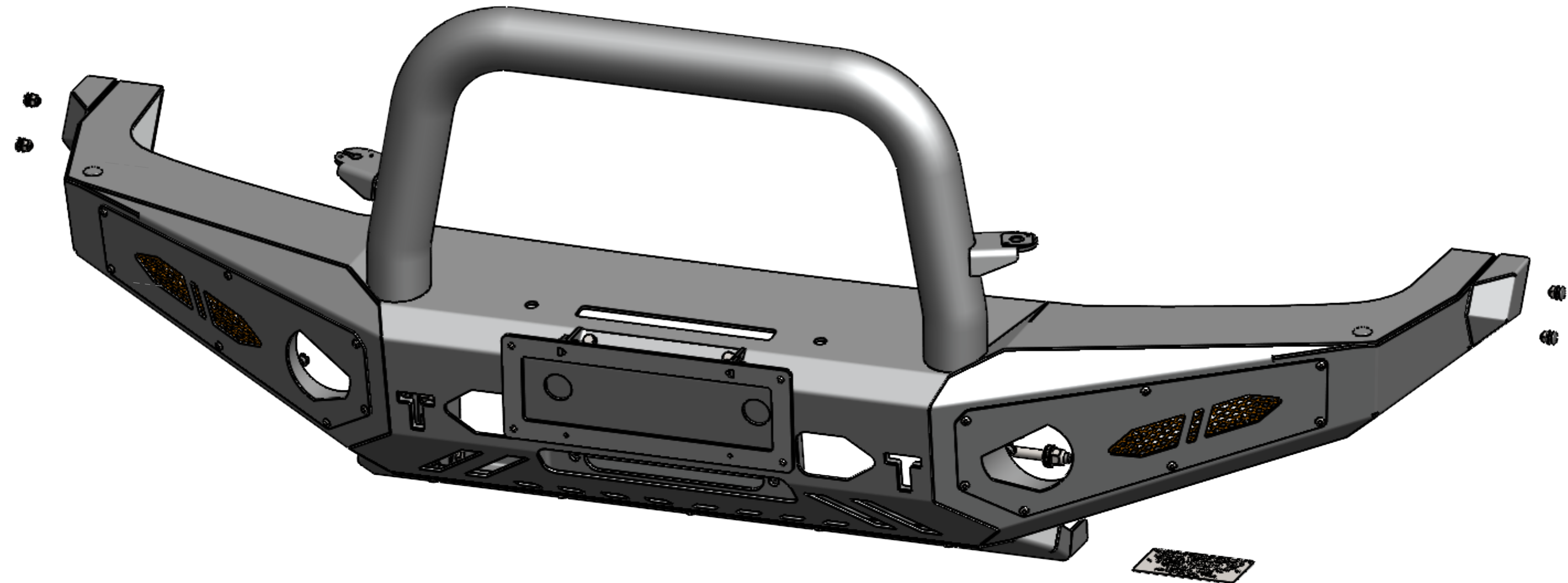
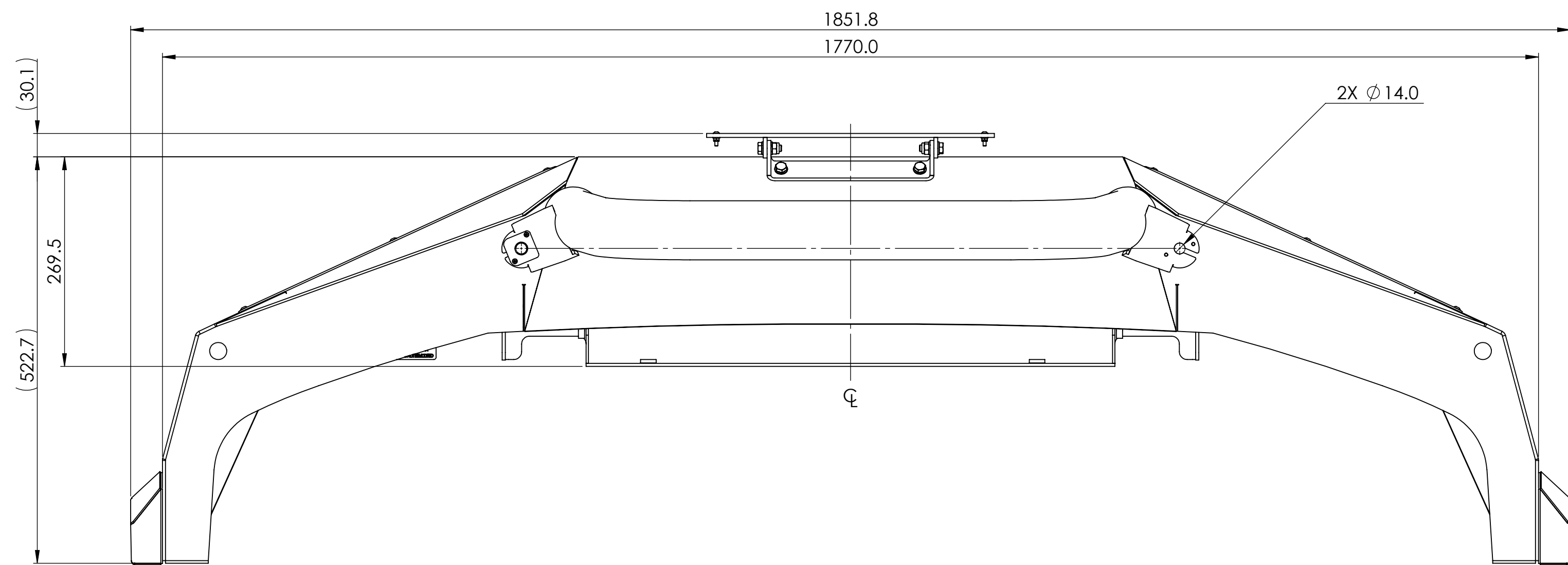
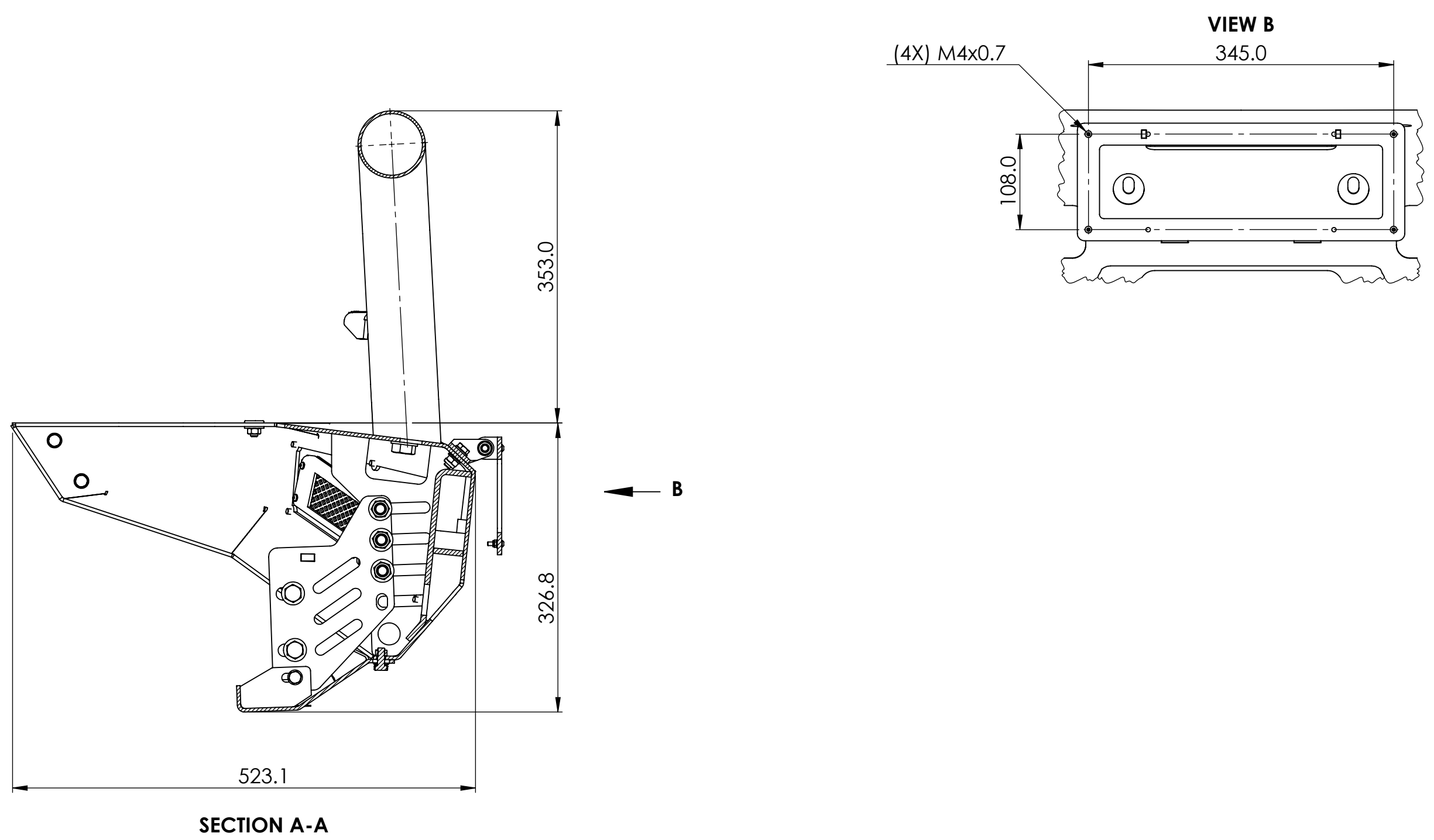
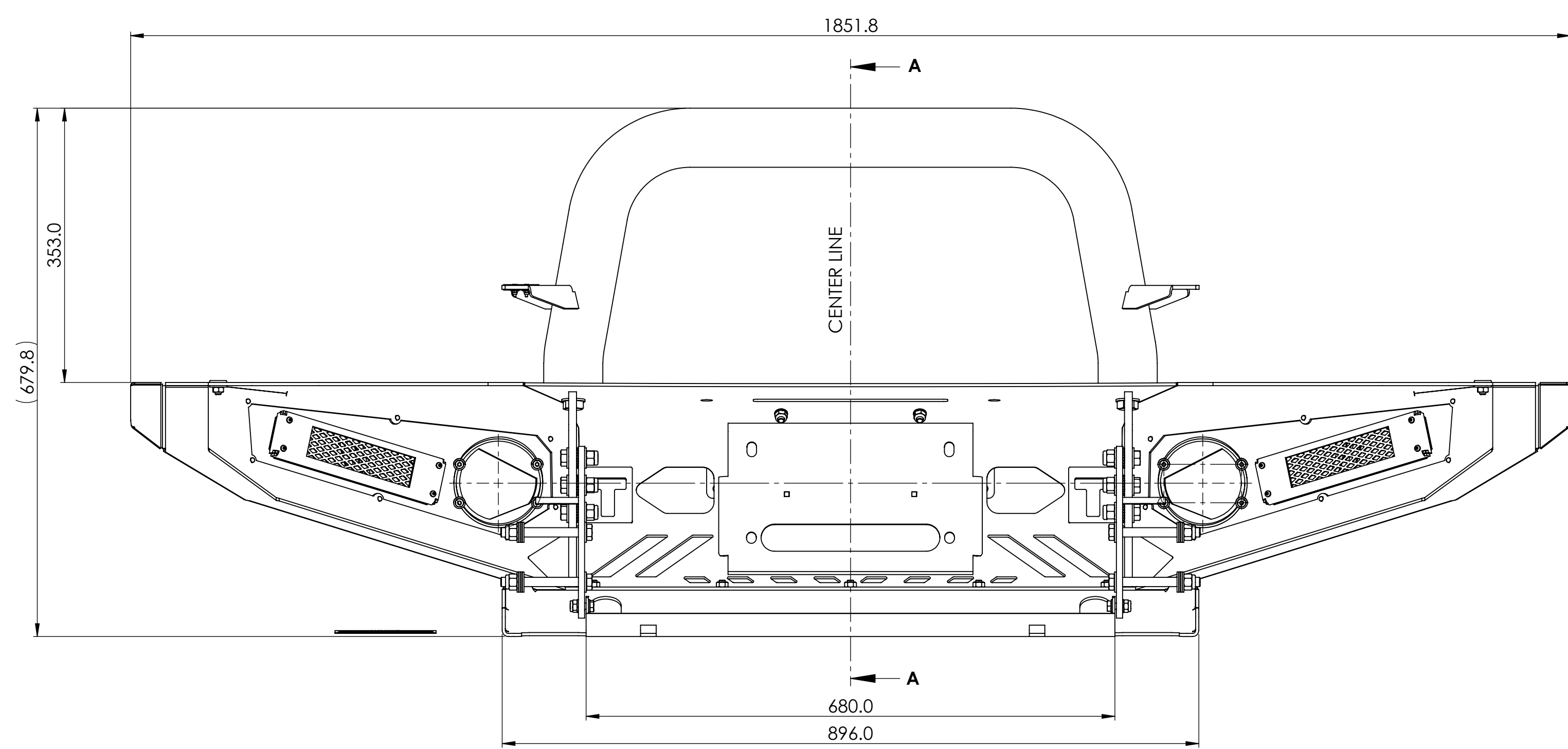


8 7 6 5 4 3 2 1

D



C



B

A

<p>This drawing and all the information thereon remains the property of CADmine and shall be returned on demand. It is issued on the condition that, except with written permission, it must not be reproduced, copied, or communicated to any party, nor to be used for any other purpose than that stated on the particular enquiry, order, or contract with which is issued. Acceptance of this drawing signifies acceptance of the above conditions and copyright.</p>	<p><b>TOLERANCE ON DIMENSIONS UNLESS NOTED OTHERWISE</b></p> <ul style="list-style-type: none"> <li>- One Decimal Place : 0.10</li> <li>- Two Decimal Places : 0.05</li> <li>- Angular : 0.5°</li> </ul>											<p>SIGNED APPROVED</p>		<p>DRAWN</p> <p>CHECKED</p> <p>Q.A.</p> <p>MFG</p> <p>APPROVED</p>	<p>PROJECT: <b>1149-LC-79-SC</b></p>						
	<p><b>MACHINING</b></p> <ul style="list-style-type: none"> <li>- Surface Finish : NB/</li> </ul>											<p>ENG</p>	<p>TITLE: <b>BULL BAR LC-79-SC (SINGLE HOOP)</b></p>								
	<p><b>FABRICATION</b></p> <ul style="list-style-type: none"> <li>- Up To 300 ±1</li> <li>- 301 To 1000 ±1.5</li> <li>- 1001 To 3000 ±2</li> <li>- 3001 To 5000 ±2.5</li> <li>- Over 5000 ±3</li> <li>- Angular 1°</li> </ul>											<p>DRN</p>	<p>WEIGHT =/&gt;: <b>49.4 Kg</b></p>								
	<p>DWG No.</p> <p>TITLE</p> <p>No.</p> <p>DESCRIPTION</p> <p>BY</p> <p>DATE</p> <p>CHK</p> <p>DATE</p> <p>APP</p> <p>DATE</p> <p>APP</p>	<p>DRAWING REVISIONS</p>										<p>CHK</p>	<p>MR: <b>D</b>    MR: <b>SEE BOM</b>    DWG. NO. <b>1149-LC-79-SC-SH</b>    REV <b>4</b></p>								
												<p>ORIGINAL DWG SIZE</p>				<p>SCALE: 1:5</p>		<p>FINISHED: N/A</p>		<p>SHEET 1 OF 1</p>	



8 7 6 5 4 3 2 1